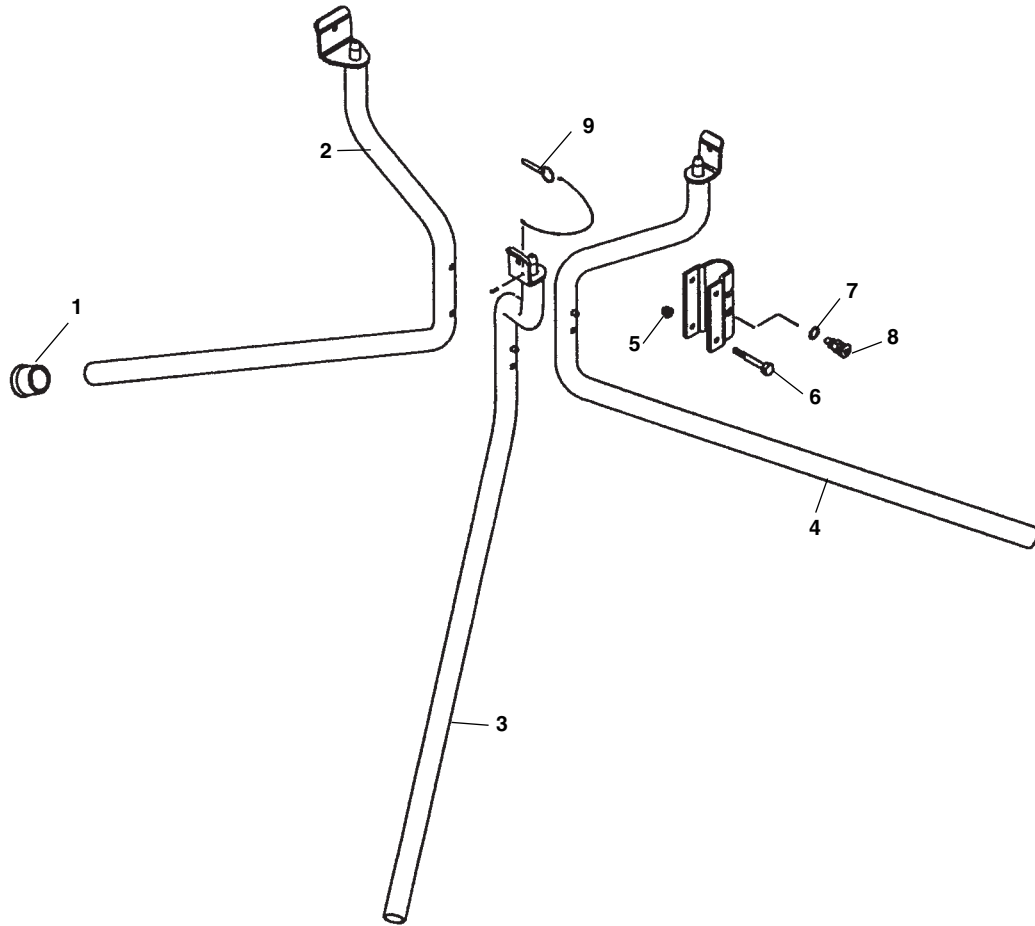


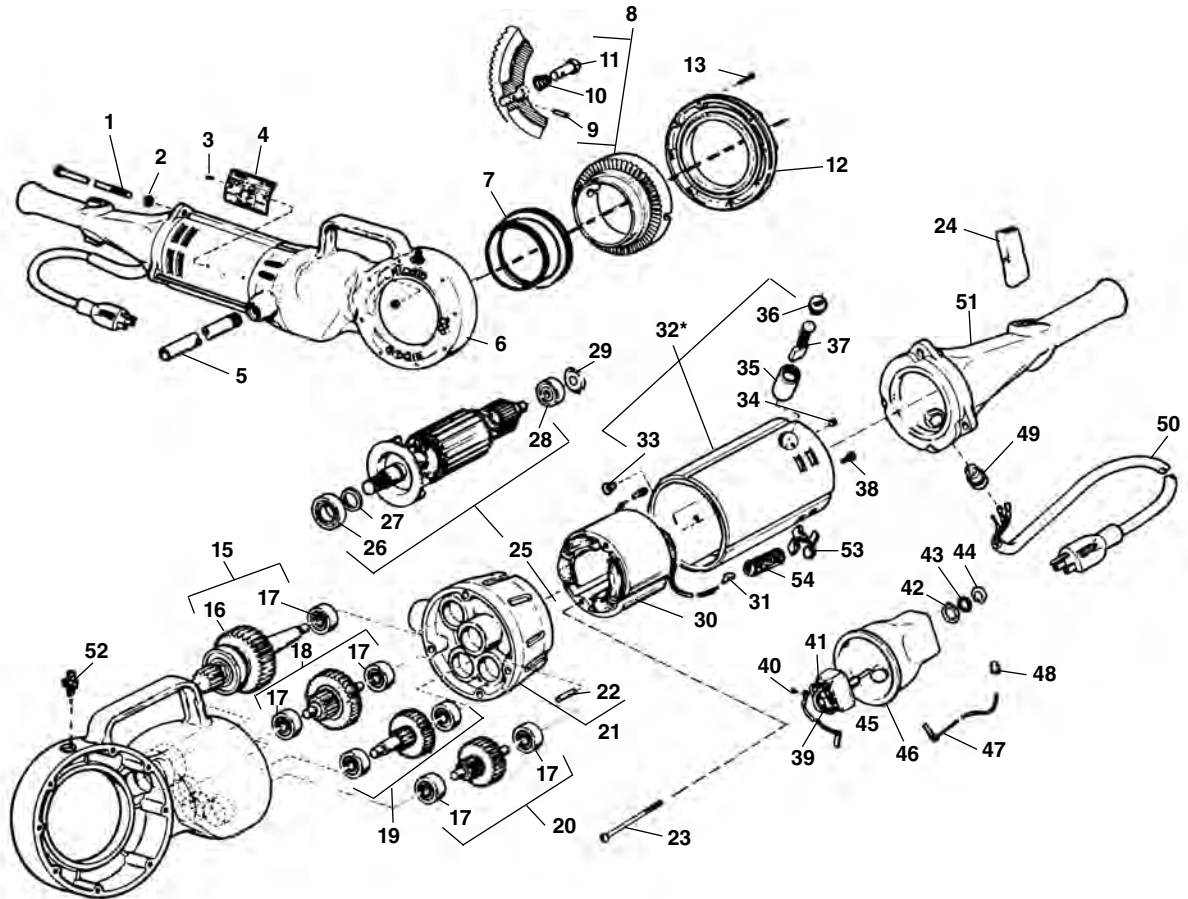
120 Stand



**NOTE: Order parts by Catalog Number only.
DO NOT order by Reference Number.**

Ref. No.	Catalog No.	Description
—	67822	120 Stand
1	37962	Rubber Foot (3)
2	72287	Rear Leg
3	72292	Left Front Leg
4	72297	Right Front Leg
5	83890	Lock Nut 1/4" - 20
6	44510	Screw 1/4" - 20 x 2" Socket Head
7	75695	Lock Washer 7/16" Internal
8	59510	Plunger Assembly (2)
9	51092	Hitch Pin

Type 1

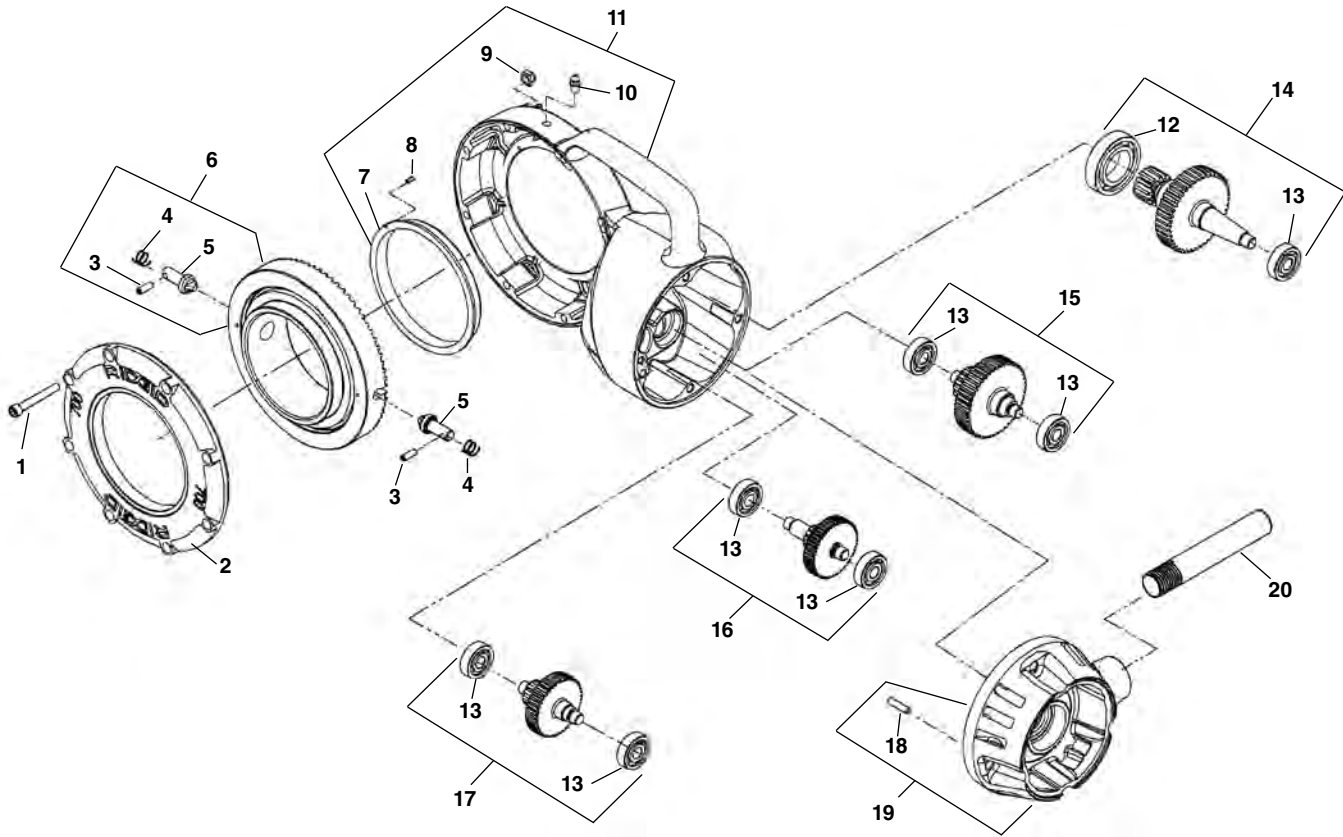


**NOTE: Order parts by Catalog Number only.
DO NOT order by Reference Number.**

Ref. No.	Catalog No.	Description	Ref. No.	Catalog No.	Description
1	44785	Tie Bolt (4)	28	44760	Bearing
2	40770	Lock Washer (4)	29	44790	Load Spring
3	85920	Pop Rivet (2)	30	44070	Field (115V) (Incl. Ref. No. 31)
4		Name Plate (115V) Name Plate (230V)		28922	Field (230V) (Incl. Ref. No. 31)
5	46615	Torque Arm	31	83895	Ring Tongue Terminal (2)
6	42970	Gear Case Assembly (Includes Ref. 7, 13, 14, 52)	32*		Motor Housing Assembly
7	44060	Bearing	33	44765	Lock Screw
8	43395	Face Gear Assembly	34	39770	Set Screw (2)
9	32475	Spring Pin (2)	35	44795	Brush Holder (2)
10	44915	Spring (2)	36	45660	Brush Cap (2)
11	44910	Adapter Pawl (2)	37	44815	Brush Assembly (2)
12	43345	Cover	38	45420	Ground Screw
13	46775	Screw (8)	39	44905	Switch
14	83890	Lock Nut (8)	40	46310	Screw (5)
15	44900	4th Gear Assembly	41	44890	Jumper (2)
16	76562	Bearing	42	75700	Lock Ring
17	45060	Bearing (7)	43	75695	Lock Washer (Internal Tooth)
18	44830	3rd Gear Assembly	44	46590	Lock Nut
19	44820	1st Gear Assembly	45	44880	Brush Lead (Blue)
20	44825	2nd Gear Assembly	46	43390	Switch Insulator
21	43335	Fan Housing Assembly	47	44885	Brush Lead (White)
22	45165	Dowel Pin	48	44635	Wire Nut
23	44555	Field Mtg. Screw (2)	49	46730	Cord Retainer
24	97260	Switch Button	50	89155	Service Cord (115V)
25	44055	Armature & Fan Assy. (115V)		44045	Service Cord (230V)
	44075	Armature & Fan Assy. (230V)	51	97255	Handle
26	44565	Bearing	52	46860	Grease Fitting
27	44430	Retaining Ring	53	41270	"X" Washer
			54	44755	Insulator Tube
			55	41620	Grease

Note: *Replace Type 1 Motor Housing with Type 2 components: 18676 Motor Housing, 27418 Warning Decal, 18486 Field Screws, 58542 Lock Washers, 18566 Sleeve, and Type 2 Field (27408 - 115V or 27413 - 230V). Does not include 44815 Motor Brushes.

Gearhead Components

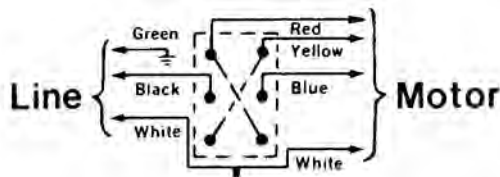


**NOTE: Order parts by Catalog Number only.
DO NOT order by Reference Number.**

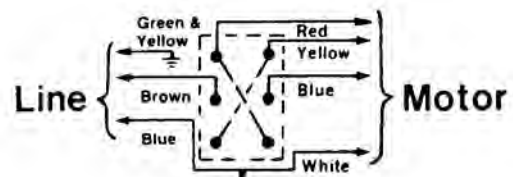
Ref. No.	Catalog No.	Description	Ref. No.	Catalog No.	Description
1	46775	Screw (8)	12	76562	Bearing
2	43345	Cover	13	45060	Bearing (7)
3	32475	Spring Pin (2)	14	44900	4th Gear Assembly
4	44915	Spring (2)	15	44830	3rd Gear Assembly
5	44910	Adapter Pawl (2)	16	44820	1st Gear Assembly
6	43395	Face Gear Assembly	17	44825	2nd Gear Assembly
7	44060	Bearing	18	45165	Dowel Pin
8	89085	Roll Pin 1/8" x 1/4"	19	43335	Fan Housing Assembly
9	83890	Lock Nut (8)	20	46615	Torque Arm
10	46860	Grease Fitting			
11	42970	Gear Case Assembly (Includes Ref. No. 1)			

Wiring Diagram (115/230V)

Standard Color Code

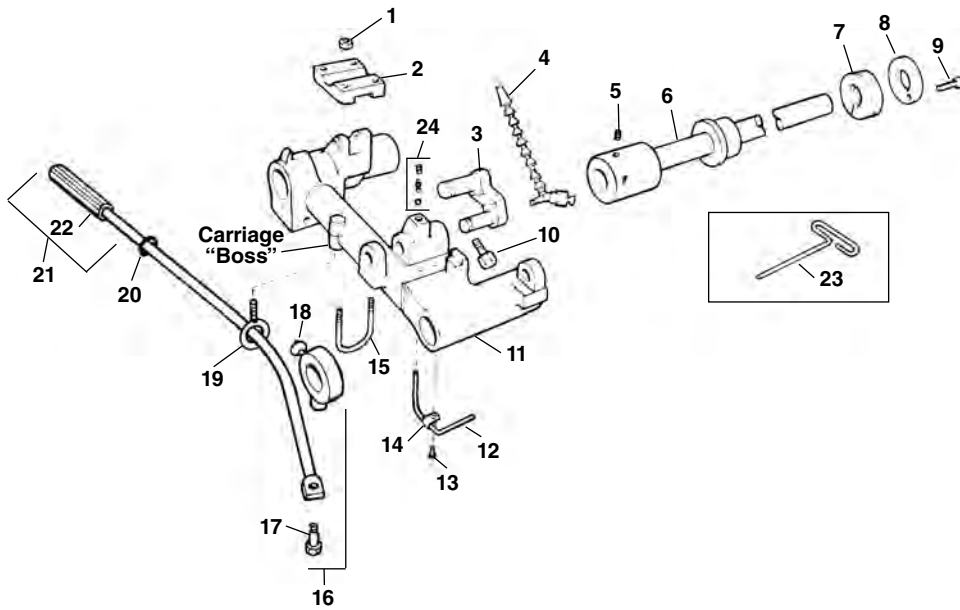


European Color Code



No. 241 Carriage Mount Kit Parts

NOTE: Order parts by Catalog Number only. DO NOT order by Reference Number.



Ref. No.	Catalog No.	Description
—	35877	241 Carriage Mount Kit
1	96730	Hex Nut, 5/16" - 18
2	36177	Saddle
3	36182	Connecting Link
4	35277	Coolant Nozzle
5	39775	Set Screw, 5/16" - 11
6	36187	Drive Bar
7	36192	Spring
8	36197	End Cap
9	27357	Cap Screw, 1/4" - 20 x 3/4"
10	35202	Sq. Hd. Set Screw, 1/2" - 13
11	35052	Carriage
12	35067	Oil Supply Line
13	79965	Screw, 10-32 x 1/2"
14	35062	Oil Line Clamp
15	35207	U-Bolt
16	35282	Collar Assembly
17	46210	Shoulder Bolt
18	46220	Thumb Screw
19	35082	Eye Bolt
20	35092	O-Ring
21	43400	Lever Arm Assembly
22	46235	Hand Grip
23	35212	Hex Wrench
24	46810	Detente Assembly

**No. 822 Blade Cutter Adapter Kit Parts
307 Oil Spout Assembly**

Ref. No.	Catalog No.	Description
—	35872	822 Adapter Kit
—	36602	307 Manifold Kit
1	36137	Cutter Arm (822 Kit Only) (1)
2	39845	Coolant Nozzle (1)
3	44510	Cap Screw 1/4" - 20 x 2" (1)
4	36142	Drip Guard (1)
5	36147	90° Street Elbow (1)
6	36152	Oil Line (3.3 in.) (1)
7	36157	90° Comp. Fitting (2)
8	36162	Oil Line (7.4 in.) (1)
9	36167	3-Way Valve (1)
10	36172	Reducer Bushing (1)
11	83890	Hex Nut, 1/4" - 20 (1)
12	27097	Flat Washer, 1/4" (1)

